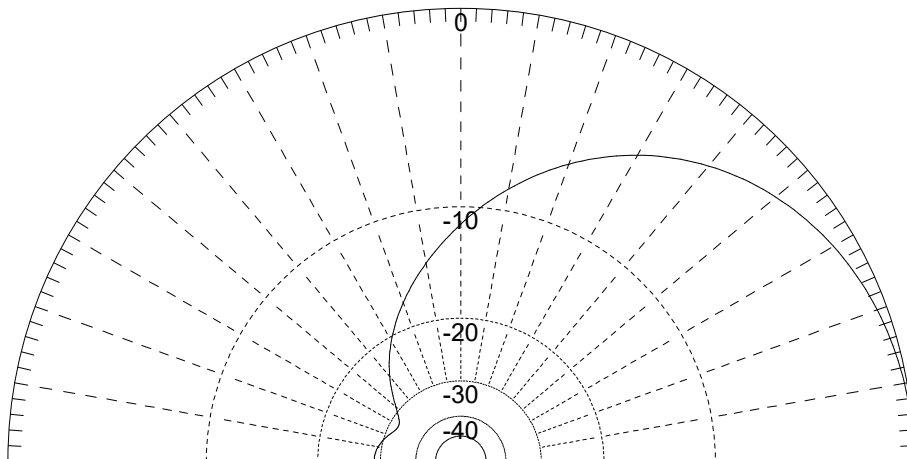
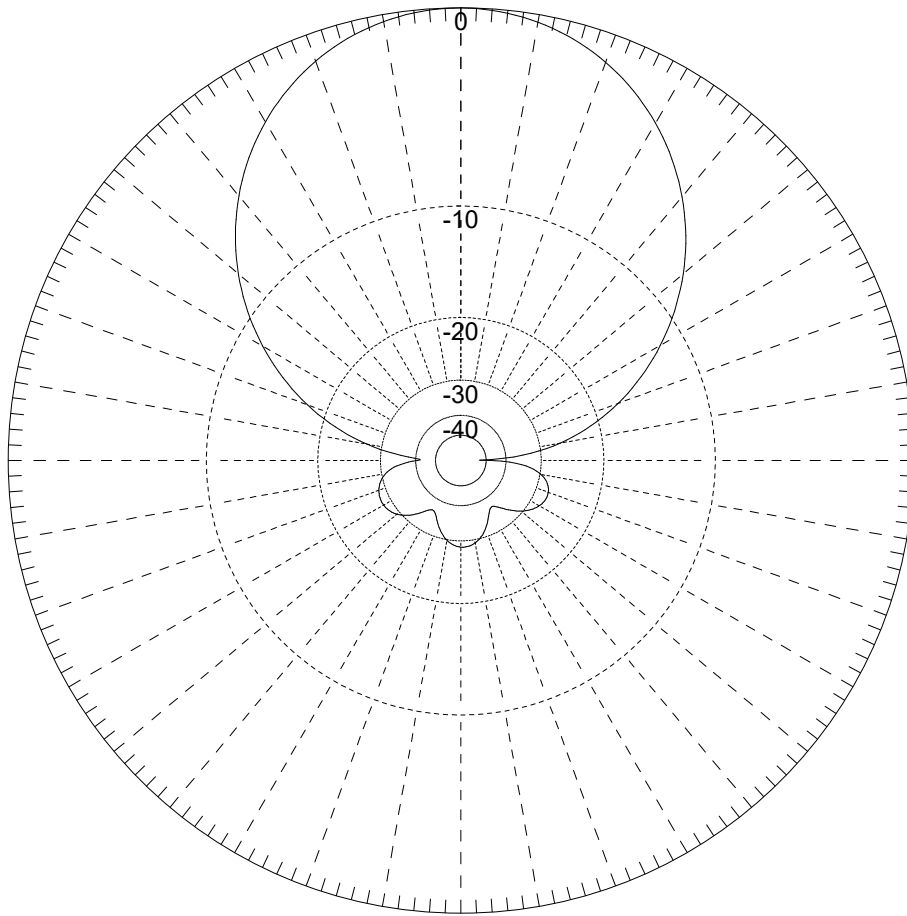


Logperiodica UV



Ga : 7.96 dBi = 0 dB (Horizontal polarization)  
Gh : 5.81 dBd  
F/B: 20.49 dB; Rear: Azim. 120 dg, Elev. 60 dg  
Freq: 145.000 MHz  
Z: 45.612 - j14.688 Ohm  
SWR: 1.4 (50.0 Ohm),  
Elev: 0.0 dg (Free space )